

DESIGNER GROOVE®

PRODUCT INFORMATION AND INSTALLATION GUIDE

Revision Date: 17/07/2025

GENERAL PRODUCT INFORMATION

Ahead of installations, it is recommended to consult with an experienced, local Registered Builder and to ensure compliance with building regulations.

- Deliver product to site at least 48 hours prior to installation and allow to acclimatise to the area of application.
- Ensure framing is straight and true.
- For wall and/or ceiling applications studs should be spaced at 450mm centres or less. Framing can be placed at 600mm centres provided supported by additional noggins with a 450mm maximum spacing.
- DESIGNER GROOVE wall linings can be joined off of studs, but these joins must be supported by additional noggins with a 450mm maximum spacing.
- To prevent splintering and breakout, fixings should be positioned no closer than 25mm to a corner and no closer than 15mm to the edge.
- Leave a 10mm expansion gap at the floor if the wall lining is to be installed only part way up the wall.
- Leave a 5mm expansion gap at the top of the sheet if the wall lining is being installed from floor to ceiling.
- Leave a 0.5mm minimum expansion gap at each join. Do not 'Hard Knock' panels together.
- Per every metre width of wall or ceiling, allow ~1.0mm for an expansion gap at the outer perimeters of the wall or ceiling. (e.g. 6m wall x 1.0mm = 6mm therefore leave a 3mm gap at each outer edge of wall or ceiling)
- Determine how the finishing off of internal and external corners will be completed prior to installation of the first sheet.
- Where internal wall lining backs onto an external wall, it is recommended that the rear surface of the wall lining be undercoated with a paint primer.
- When installed as a ceiling lining, the rear of the sheet should be undercoated prior to installation. For ceiling applications, it is recommended to avoid end butting of sheets (due to potential for movement).

SHEET AND PROFILE DIMENSIONS

- The presented sheet and profile dimensions are nominal sizes and may be subject to variances in manufacture. Please check all panels upon delivery and pre-plan installation based on the sizing of the product received.
- If end-joining wall and ceiling panels, please note that profiles may not align precisely; the application of a moulding over the join can minimise any variance.

DESIGNER GROOVE INSTALLATION GUIDELINES

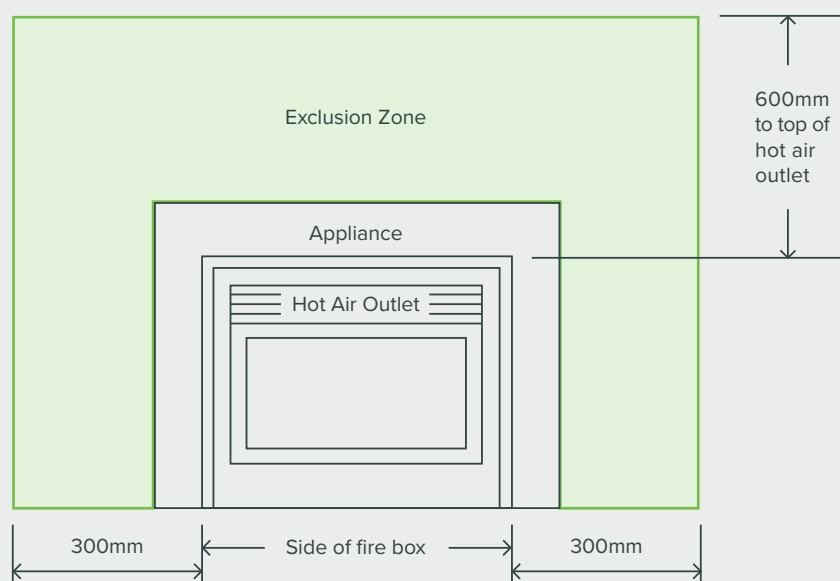
PRE-CONDITIONING PRIOR TO INSTALLATION

- Pre-conditioning of MDF board is recommended to help ensure that product acquires equilibrium moisture content (EMC) before fixing; this pre-conditioning can reduce the likelihood of bowing, warping or size change after affixing.
- Some boards may achieve EMC by being stored for a period of time in the location of final use (without any positive conditioning). Suggested: 48-72hrs before installation.
- Do not store product in the following areas:
 - outdoors
 - open areas
 - areas with newly poured concrete
 - rooms that have been recently plastered.
- Always store the product in the area for use on gluts placed at maximum of 600 mm centres, elevated from the ground or floor and allow to acclimatise.
- Once the product has left our premises, ForestOne takes no responsibility for any potential movement of product due to variables not under our control (E.g. transport, storage, framing, installation, and paint material).

INSTALLATION AROUND A FIREPLACE

To ensure safety when installing Designer Groove panels near a fireplace, please consider the following:

- Check and follow all relevant safety standards and clearance rules, as specified in AS/NZS 2918.
- For traditional fireplaces, maintain a minimum distance of 500mm between the fireplace (open or closed) and the Designer Groove panels.
- If you're unable to find the required information, refer to the provided installation diagram. It outlines a typical exclusion zone for timber-based products. Remember that manufacturer recommendations may vary, so treat it as a general guideline.



DESIGNER GROOVE INSTALLATION GUIDELINES

INSTALLATION IN WET AREAS

DESIGNER GROOVE panel products can be used in Bathrooms and Laundries as wall and ceiling panelling/lining. However certain areas require a “water resistant” material according to the Australian Standard: refer to AS3740 - 2010 “Waterproofing in Wet Areas within Residential Buildings”, in conjunction with these instructions.

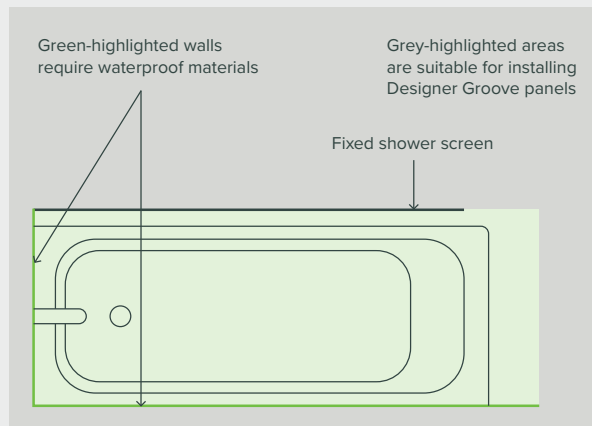
Example 1: Installing above the shower

- DESIGNER GROOVE wall linings must not be installed lower than 1800mm from the finished floor level (as per NCC requirement).
- DESIGNER GROOVE must be installed no closer than 1500mm from the wall carrying the fixed shower rose, when installing above a bath, with a shower over the bath.
- When DESIGNER GROOVE is installed adjacent to an enclosed shower, the junction must be fully waterproofed and the panel must be protected (as it is not a water-proof material).

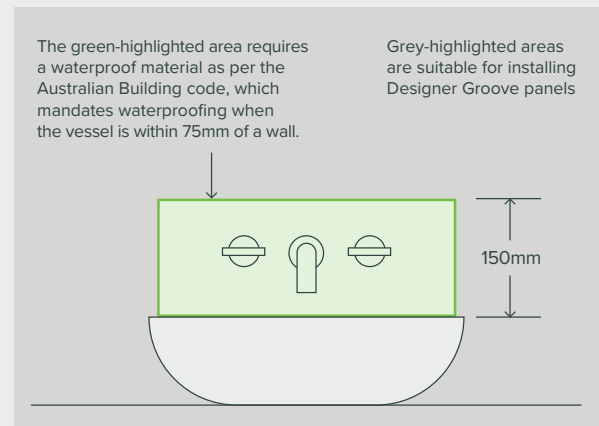
Example 2: Installing above the bath

- DESIGNER GROOVE wall linings must be installed at a minimum of 150mm above the vessel for the length of the vessel (as per NCC requirement).
- DESIGNER GROOVE must be installed no closer than 1500mm from the wall carrying the fixed shower rose, when installing above a bath, with a shower over the bath.

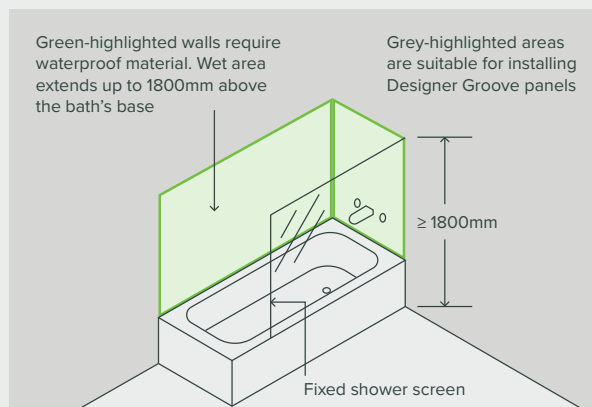
Shower and bath with shower screen



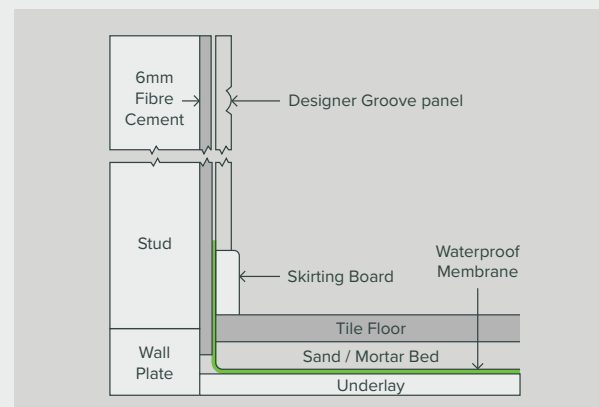
Basin abutting wall



Bath with fixed shower screen



Wet area tile floor



GENERAL PRODUCT INFORMATION AND INSTALLATION

Tools and Equipment Required

- Safety Glasses (complying with AS1337)
- P1 or P2 Dust Mask
- Tape Measure
- Hand Saw or Power Saw
- Hammer / Nail Gun or Screw Gun
- Pencil
- Spirit Level
- String Line
- Caulking Cartridge Gun or Spatula

Cutting

DESIGNER GROOVE Wall Linings can be cut with a Power Saw or Manual Saw

- Cutting with a Power Saw, cut the board with the face-side down
- Cutting with a Manual Saw, cut the board with the face-side up

Affixing

If fixing with power tools ensure the driving pressure is only sufficient to drive the head marginally below the surface.

- If the driving pressure is too high and the nail is driven in too far, board splitting could occur (and tool marks be shown).

Safety

DESIGNER GROOVE products are manufactured from wood-products. As such, machine tools should be fitted with dust extractors and operators should wear appropriate personal protective wear or safety. For more safety information, refer to the respective product Material safety Data Sheets (MSDS) available on our website.

Wet Area Paint Finishes

- Paint Manufacturers' may not offer a warranty when applying their paint product onto another manufacturer's base primer.
- For best results, it is recommended to first trial the application of the final paint coat onto the DESIGNER GROOVE pre-primed surface, prior to installation and final painting.
- Acrylic paints are generally recommended.

Consumables

The following is a list of products that are suggested will perform in typical product applications.

GENERAL PRODUCT INFORMATION AND INSTALLATION

General product information and installation (continued)

Nails

Required length long enough to penetrate the studs (at least 30mm). Space the nails a maximum of 500mm apart for dry areas or a maximum of 400mm for wet areas, fixing the sheet to all studs and noggins.

Fixing wall linings

- Hammer: 2mm x 40mm anti-rust bullet head nail
- Nail Gun: Paslode ND Brads 14ga x 45mm

Fixing ceiling linings

- Nail Gun: Paslode Duo-Fast C2.5 x 45 Ring Shank

Screws

Space the screws a maximum of 500mm apart for dry areas or a maximum of 400mm for wet areas, fixing the sheet to all studs and noggins.

Affixing to timber frame

ICCONS: Needle point CSK head part (No. TP796)

- 8-15 x 20 or 30mm

ICCONS: Collated Needle point CSK head collated (IC Find # 796C or 798C)

- 8-15 x 20 or 30m

Affixing to steel frame

ICCONS: Self-Drilling CSK head Self embed head (part No. TP326)

- 8-18 x 20 or 30mm ICCONS: Collated
- Self-Drilling CSK head Self embed head collated (IC Find # 344C or 346C)
- 8-15 x 20 or 30mm

Glues

- A flexible construction adhesive or stud adhesive should be used for fixing the sheets to the studs and noggins.
- Use a generous dollop or “acorns” of adhesive to the studs and noggins before fixing each sheet.
- Apply a maximum of 500mm apart for dry areas or a maximum of 400mm for wet areas,
- Over existing walls apply a 5mm bead of flexible construction adhesive in zig zag pattern over the existing lining.
- Always follow the adhesive manufacturers’ recommendations for how much to use.

Misc.

- Spacers — use off cuts of the 9mm MDF or 10mm timber pieces.
- PVA adhesive for glueing corners together and mouldings in place.
- Best to use a Timber based filler to fill nail or screw holes.

ForestOne has a policy of continuous product testing and improvement. As a result, ForestOne reserves the right to make changes and modifications to the information contained in this document as deemed necessary and without notice. E&OE.