



Wet Area Panels

FOR BATHROOMS & LAUNDRIES.
DESIGNER WALLS. FAST.



WallART™ Wet Area Panels

Add a touch of class to your home or workplace with WallART's line of wet area panelling. With a striking range of colours and patterns to choose from, you're sure to create a space that's not only functional, but stylish, too.

WATER RESISTANT The WallART range is perfect for any indoor space that collects moisture, including the bathroom, laundry, and shower recess.

DURABLE Made from high-pressure laminate it can withstand impact far greater than ceramic tiles and will not discolour or fade. Being non-porous allows it to perform even in humid conditions like shower recesses.

HYGIENIC WallART will not attract mould because it is grout-free. This also makes cleaning a breeze – simply wipe with a damp cloth and non-abrasive cleaner.

STYLISH WallART offers you a range of attractive styles, from classic monochromes to contemporary patterns. Its streamlined finish makes it a versatile alternative to conventional tiles.

SIMPLE TO INSTALL Our easy-to-follow installation guide enables you to give your space a professional look at just a fraction of the cost.

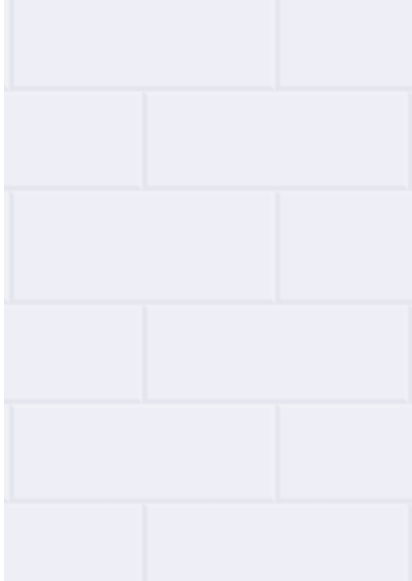
WallART. DESIGNER WALLS. FAST.



SHEET COLOURS



Snow White ▲◆●



New York White (Tile)



White Marble - Gloss



Designer White (Tile)

SHEET COLOURS



New York Black (Tile)



Slate - Matt



Silver Haze



Iron Age - Gloss

SHEET COLOURS



Pumice - Matt



Concrete - Matt

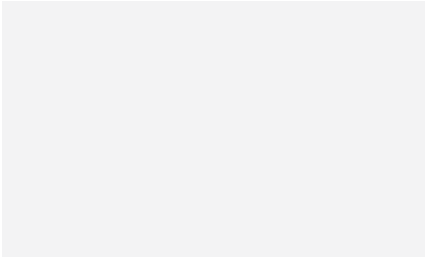


Carrara Ice ▲◆●

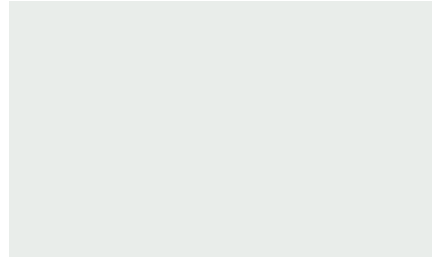


SCAN TO SEE FULL
RANGE ONLINE
AND DISCOVER
SHEET PATTERN
DIMENSIONS

JOINER COLOURS



Snow White



Carrara Ice

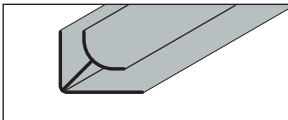


Brushed Aluminium

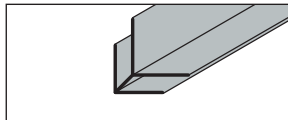


Black

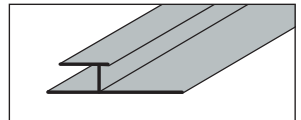
JOINERS



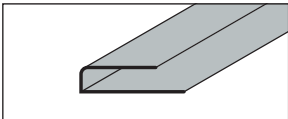
Internal Corner



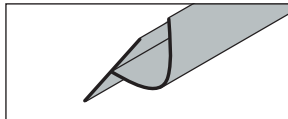
External Corner



Sheet Joiner



Top/End Cap



Bath Mould

TECHNICAL DETAILS

Sheet Sizes: 2400mm x 1200mm (All colours)

Other sizes for selected colours only

- ▲ 2400mm x 900mm
- ◆ 2100mm x 900mm
- 1800mm x 900mm

Thickness: 3.0mm (tolerance ± 0.2 mm)

Finish: Gloss

Density: 1450kg/m³

Weight: 4.35kg/m²

Product tested and approved to international standard ISO 4586 for high-pressure laminate.

INSTALLATION GUIDE

SAFETY FIRST

When working in areas that generate dust it is advisable that you wear protective goggles, a dust mask and work gloves. Storage and work areas should be well ventilated.

CONDITIONING

It is important that you condition your panels by placing them in the room where they will be installed. Leave a space between sheets to allow for air circulation. For rooms above ground level, allow panels to condition for 24 hours. For rooms below ground level, allow for 48 hours.

HANDLING

To avoid scratching the surface of your panels, ensure that the work area remains clean, avoid contact between the panel and abrasive surfaces and take care when moving the panel to avoid chipping any edges.

*Important: Some sheets have a protective film on both sides. This must be removed before installation.

PLANNING AND PREPARATION

Before you start you need to be aware of the waterproofing and water resistance requirements for building elements in wet areas. You may be required to waterproof the area behind the WallART depending on where it is to be installed. This may also determine which installation method you use. Check with your local building authority regarding waterproofing of wet areas before proceeding.

It is also very important to check that the walls are flat, square, and plumb before starting and periodically during installation.

Calculate the number of panels required to complete your project and gather the necessary tools and materials from the following list:

- Tape measure
- Spirit level
- Pencil
- Carpenter's square
- Fine tooth handsaw or fine tipped tungsten machine saw
- Fine tooth hacksaw
- Hand plane
- Sandpaper
- Treated timber battens
- Electric drill & hole cutting bit
- Nails
- Hammer
- Staple gun
- Caulking gun
- Adhesive (we recommend a synthetic rubber-based adhesive like Bostik Wallboard Adhesive or Sikaflex 11FC. Rigid or semi-rigid adhesive is not recommended.)
- Sealant (we recommend Selley's All Clear or Selley's Bathroom & Kitchen Sealant)
- Caulking compound (we recommend Selley's Bathroom & Kitchen Silicone or Sikaseal Kitchen & Bathroom Silicone)
- Wood block and cloth
- Mineral spirits
- Colour-matched joiners to join panels and finish off installation

If the pattern on the sheet needs to align with the adjacent sheet, care needs to be taken with both the orientation of the panel (top & bottom) and allowance may need to be taken to trim sheets to match.

SILICONE JOINS

WallART can be installed using a butt join system rather than the matching joining strip. If you choose to do this, apply bond breaker tape to the timber frame at the centre

of the join before fixing the sheet to the wall. Leave a 3mm gap between the sheets using an off cut as a spacer. Run masking tape down the sides of each join and fill with a matching bathroom silicone. Trowel off any surplus and remove masking tape. Wipe off any excess silicone on the surfaces using a damp cloth or mineral turpentine.

CUTTING DRILLING AND SHAPING

When cutting straight lines use a fine-tooth handsaw and always cut with the panel face up (through the face). If using a fine tipped tungsten machine saw, ensure the panel is face down. Sand or hand plane cut edges to achieve a smooth finish. Use a fine-toothed hacksaw to cut your colour matched joiners to size.

When cutting holes for taps, shower fitting and pipes, measure and mark the outline of the area on the face of the panel, then drill and cut with the face up. For holes 20mm or larger in diameter, a 2mm allowance for expansion should be made. These expansion gaps should later be sealed with silicone. Do not cut square corners in your panel. Drill holes on the inside of each corner you have marked and cut along your outlined area up to each drill hole. Lightly sand the inside edges of your cut-out area to remove any burrs. Make sure you apply silicone to seal any penetrations.

CARE AND MAINTENANCE

To maintain its original lustre, your panels should be cleaned with a mild liquid non-abrasive cleaner. Avoid using abrasive powder cleaners.

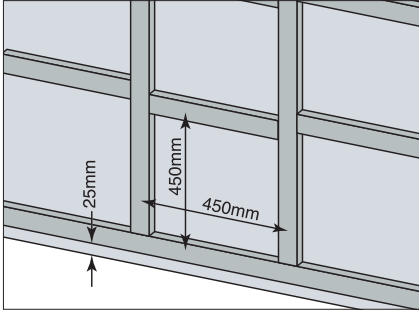
WallART can be fitted to walls that are already lined with a flat sheet, such as cement sheeting or to a framework of treated timber battens. Which method to use may be ruled by the waterproofing and water resistance requirements for building elements in wet areas determined by your local building authority.

INSTALLATION ON EXISTING WALLS AND LININGS

WallART can be fitted to walls that are already lined with an approved flat substrate material determined by your local building authority for building elements in wet areas, for example cement sheeting. In high humidity or wet areas, the wall surface must be waterproofed with an impermeable coating prior to the installation of Wallart.

Installation requires the following:

- All surfaces must be clean and free of grease, oil, dust and paint.
- Walls must be completely dry.
- Walls must be flat and square.
- Use joining profiles in these applications.
- Rub the back of each panel with coarse sandpaper in the areas that will contact the adhesive.
- Use a 5mm bead of adhesive (may vary with adhesive recommendations) around the edge of the sheet.
- Use a zig zag pattern of 5mm bead of adhesive making sure that the bead is within 15 - 20mm of the sheet edge and with a maximum separation at any point between the beads of 400mm.
- Press the sheet against the wall. Taking care not to scratch the surface, use a wood block wrapped in a soft cloth to work across the surface of each panel, tapping the block gently with a hammer to ensure the adhesive contacts the wall, particularly around the edges. Periodically using a spirit level at least 800mm long to ensure the sheets are flat and level.
- Ensure you follow the adhesive manufacturer's instructions regarding application method, time required before releasing the pressure, and total curing time.

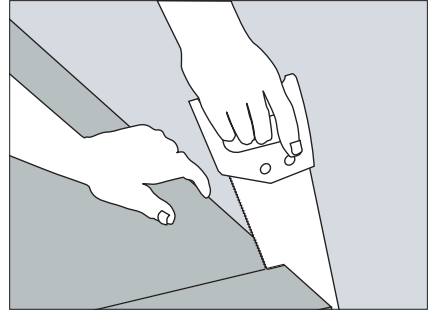


1 Installation on treated timber battens

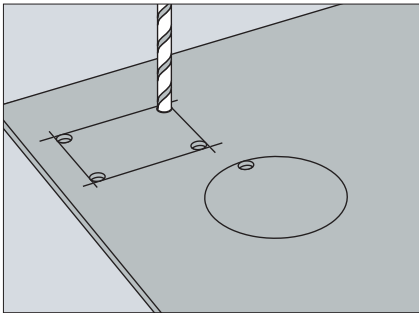
WallART can be fitted to a framework of treated timber battens 50mm x 25mm in size with a maximum spacing of 450mm between the vertical and horizontal battens. Ensure the lowest point of the frame is at least 25mm above the floor or shower base.

Where two panels are joined together, place a treated timber batten behind the join and ensure the timber framework provides a flat surface.

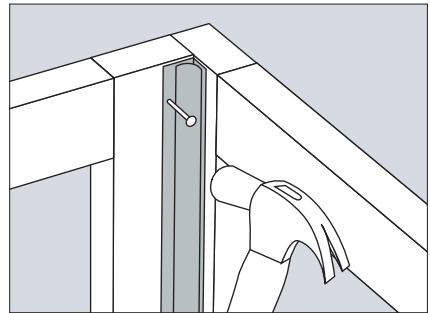
The timber framework must be flat and square.



2 When cutting straight lines use a fine tooth handsaw and always cut with the panel face up. If using a fine tipped tungsten machine saw ensure the panel is face down. Sand or hand plane cut edges to achieve a smooth finish. Use a fine toothed hacksaw to cut your colourmatched joiners to size.

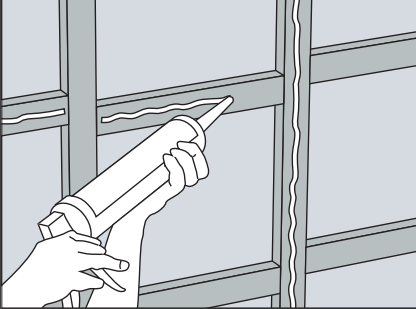


3 When cutting holes for taps, shower fitting and pipes measure and mark the outline of the area on the face of the panel, then drill and cut with the face up. For holes 20mm or larger in diameter, a 2mm allowance for expansion should be made. These expansion gaps should later be sealed with silicone. Do not cut square corners in your panel. Drill holes on the inside of each corner you have marked and cut along your outlined area up to each drill hole. Lightly sand the inside edges of your cutout area to remove any burrs.

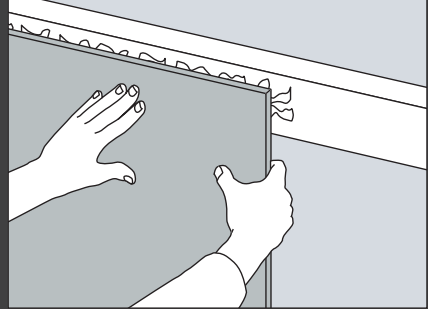


4 Begin in one corner by nailing or stapling an internal corner joiner to the treated timber frame.

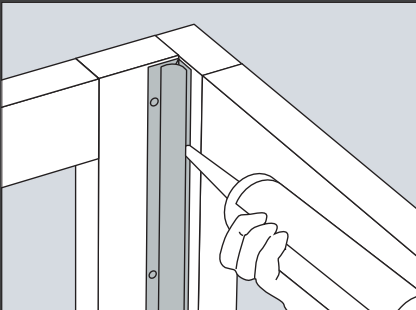
INSTALLATION GUIDE cont'd



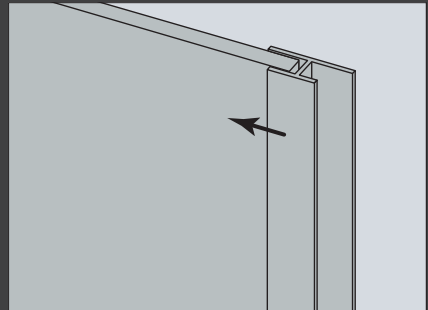
5 Apply a 5mm bead of adhesive (may vary with adhesive recommendations) to the face of each timber batten that the first panel will be applied to.



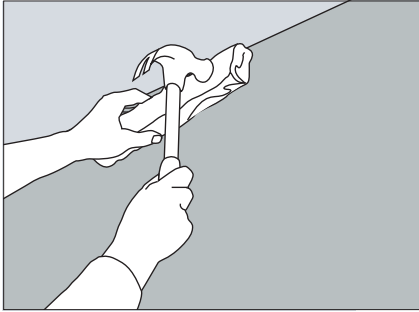
6 Rub the back of each panel with coarse sandpaper in the areas that will contact the adhesive. Work with one sheet at a time, applying adhesive and installing. Position the panel carefully and press firmly.



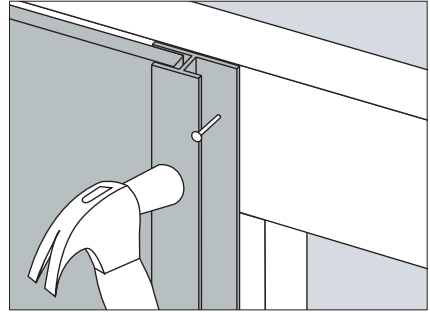
7 Place a bead of silicone sealant along the inside edge of the joiner (internal corner, sheet joiner, etc.) adjacent to the wall allowing for a 3mm total expansion gap between sheets. Do not fill the joiner with silicon as this will eliminate the expansion gap.



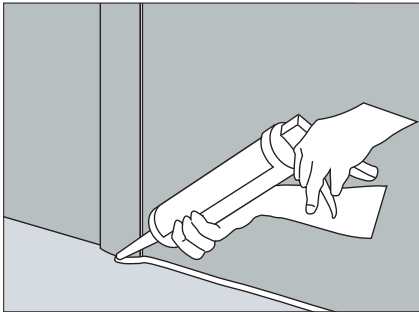
8 Press the panel against the sealant, slide into the joiner and position the panel carefully. Fix the next joiner to the free edge of the panel and press the sheet into its final position.



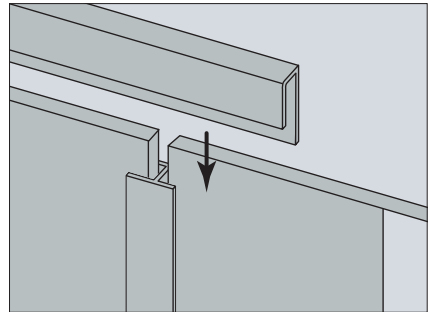
9 Press the sheet against the wall. Taking care not to scratch the surface, use a wood block wrapped in a soft cloth to work across the surface of each panel, tapping the block gently with a hammer to ensure the adhesive contacts the panel on all battens, particularly around the edges. Periodically using a spirit level at least 800mm long to ensure the sheets are flat and level. Ensure you follow the adhesive manufacturer's instructions regarding application method, time required before releasing the pressure, and total curing time.



10 Allow for the expansion gap on each side of the next joiner and nail or staple the joiner to the frame.



11 Continue this process to fix panels around each wall and seal gaps at the base of each panel using silicone sealant. All sealants must be tooled into place to positively force the sealant into the joint.



12 Upper and lower edges may also be finished using end caps. Should this joiner be used, ensure all lengths of vertical sheet joiner finish 11mm short of edges. A bath mould is recommended for the lower edge of panels butting against a bath rim.

*** Important:** Some sheets have a protective film on both sides. This must be removed before installation



SCAN TO VIEW THE FULL
RANGE OF WALLART™ WET AREA
PANELS ONLINE



forest1.com | 1300 088 066

© 2021 Forest One Pty. Ltd. TM & ® are trademarks owned by Forest One Pty. Ltd. All Rights Reserved.